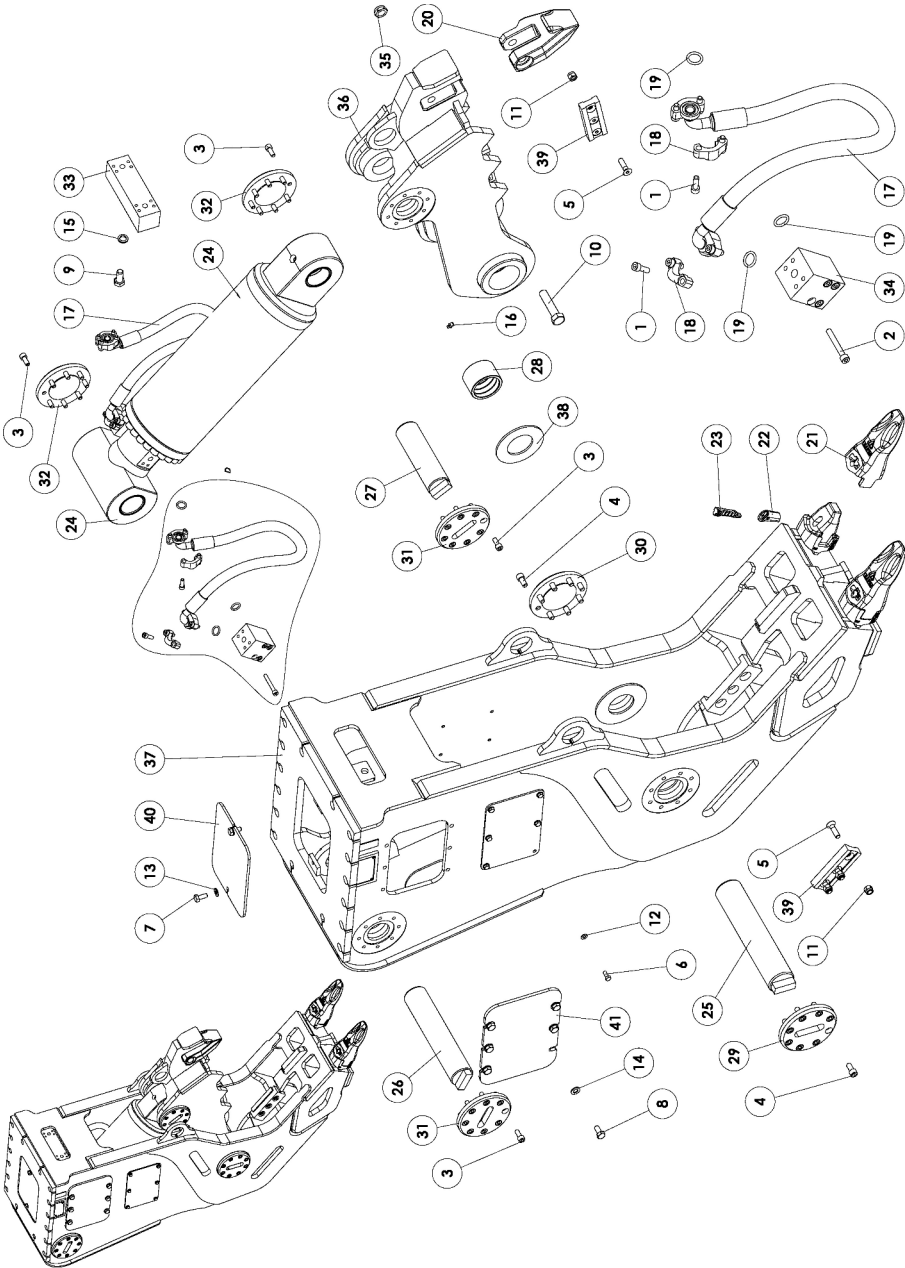
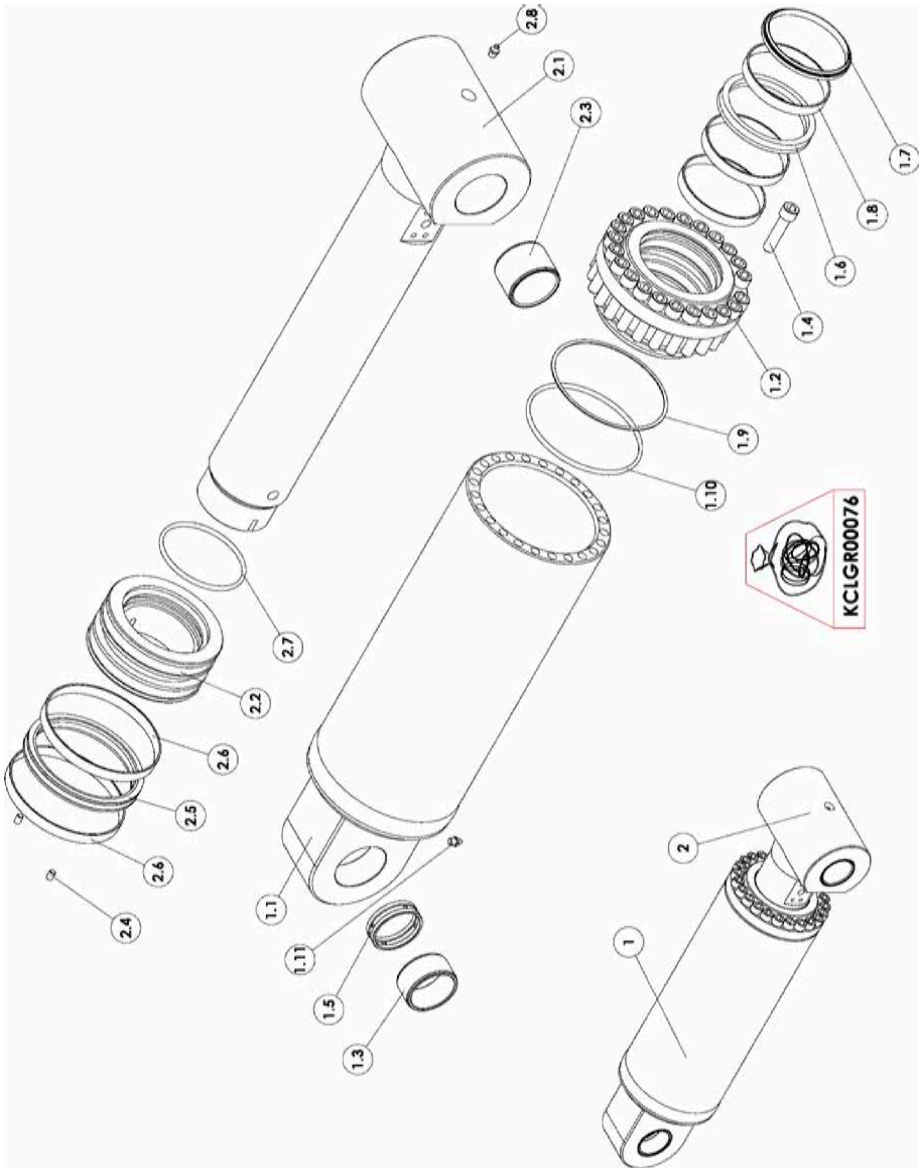


ZFF007DA0A00000000AAP0019



ID	Q.TY	CODE	ID	Q.TY	CODE	ID	Q.TY	CODE
1	16	BA01A00249	15	2	BA13N00010	29	1	F204200044
2	8	BA01A00256	16	1	BA15A00004	30	1	F204200045
3	32	BA01A00309	17	2	BB01000884	31	2	F204200052
4	16	BA01A00369	18	8	BB05B0001	32	2	F204200053
5	6	BA01B00373	19	6	BB11S00013	33	1	F400000123
6	12	BA01F00248	20	1	BDC0000307	34	2	F400000124
7	2	BA01F00310	21	2	BDC0000TC2	35	1	LC00000043
8	12	BA01F00370	22	2	BDG0000TA4	36	1	LDF00059
9	2	BA01F00492	23	2	BDH0000TA4	37	1	LDF00060
10	1	BA01G00617	24	1	CILLID00076	38	2	LPAN000009
11	6	BA10L00006	25	1	F102500039	39	2	LTC0000004
12	12	BA13B00006	26	1	F102500040	40	1	PPDR000254
13	2	BA13B00007	27	1	F102500041	41	2	PPDR000255
14	12	BA13B00008	28	2	F200700003			

CILID00076



ID	Q.TY	CODE	ID	Q.TY	CODE	ID	Q.TY	CODE
<b>1</b>	1	CILGC00076	<b>1.7</b>	1	BB11C-SLRA11012260	<b>2.2</b>	1	CILPS00076
<b>1.1</b>	1	CILCA00076	<b>1.8</b>	3	BB11C-SLAG11011570	<b>2.3</b>	2	BA26A060070050
<b>1.2</b>	1	CILTC00076	<b>1.9</b>	1	BB11C-SLPBK36040	<b>2.4</b>	2	BA02A00244
<b>1.3</b>	2	BA26A060070035	<b>1.10</b>	1	BB11C-SLOR36040	<b>2.5</b>	1	BB11C-SLTP16013730
<b>1.4</b>	24	BA01H00436	<b>1.11</b>	1	BA15A00004	<b>2.6</b>	2	BB11C-SLAG15516020
<b>1.5</b>	1	BA27D062069020	<b>2</b>	1	CILGS00076	<b>2.7</b>	1	BB11C-SLOR62340
<b>1.6</b>	1	BB11C-SLTS11013010	<b>2.1</b>	1	CILST00076	<b>2.8</b>	1	BA15A00004